

# CRUMA W-2

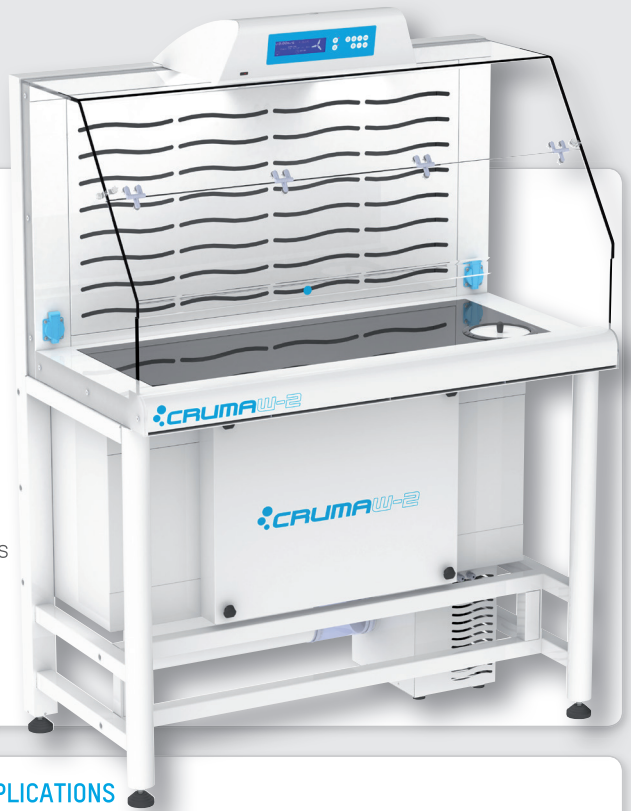
## PRECISION AND SECURITY IN THE INVESTIGATION

Cruma presents its new cabinet for **ultra-precision weighing** with total protection for the worker and the environment during the handling of substances developed in research laboratories.

Working with extremely toxic substances is no longer a problem for the laboratory personnel thanks to the **filtering system\*** of highest safety as well as the filter change of our new **Cruma W-2** cabinet.

**Sensitive microbalances** require a protected and vibration-free environment against air currents. **Cruma W-2** guarantees a precise and safe work environment when dealing with highly-active substances, while providing excellent ergonomics and comfort. The work surface is isolated from any vibration thanks to its **anti-vibration system\*** that allows calibrating with accuracy and speed any balance of up to 6 digits. Its ergonomic design and functionality meet the most stringent quality and safety standards.

\*patent pending



## SAFETY FOR WORKING WITH HIGHLY-ACTIVE SUBSTANCES

- ✓ Safe and reliable contaminant capture that guarantees maximum personnel protection with minimum noise level and energy consumption.
- ✓ Aileron-shaped armrest for total comfortable operation.
- ✓ 2 internal electrical sockets that allow clean connections for the different devices used during weighing operations.
- ✓ Granite work surface positioned on 6 silent blocks that dampens and completely isolates from vibrations when using very sensitive microbalances of up to 0.000001 grams.
- ✓ LED lighting that offers a light intensity greater than 900 Lux.
- ✓ Waste disposal system integrated in the work surface to store and dispose easily and safely of waste

## ERGONOMICS AND COMFORT FOR LABORATORY USES

The multiple warnings and alarms of the integrated control panel allow the user to work in total safety and fully concentrated on his work; at the same time, the wing-shaped profile of the front edge of the table performs two functions: it diffuses the air in a perfectly uniform way and allows the arms to be supported with total comfort.

The aspiration of toxic substances is carried out through suction openings made with a special design and located on the rear panel, which prevent dangerous substances from leaving the device and endangering the user. In addition, its flat and homogeneous shape meets the most stringent requirements in terms of hygiene, decontamination and cleaning.

The large digital screen offers 2 levels of user that make the configuration of the cabinet very practical and safe. Likewise it is provided with a waste disposal system integrated directly into the work surface, which allows waste materials to be disposed very safely.

The **BagIn & BagOut** system for the change of the clogged filter ensures total safety and protection during the filter change operation, avoiding any possible accident or contamination of the technical personnel.

**Cruma W-2 is the ideal cabinet for your ultra-precision weighing operations: Safe, ergonomic and comfortable.**

## APPLICATIONS

- ✓ Density Measurement
- ✓ Sample preparation
- ✓ Emissions test: gravimetric determination of suspended particles
- ✓ Non-Volatile Residue Test – Gravimetric Determination of NVR Content
- ✓ Dosing
- ✓ Moisture Content Determination
- ✓ Precise Residue Testing – Accurate Standard Preparation
- ✓ Formulation Development and Production of precise formulations
- ✓ CHNSO Elemental Analysis - Sample Preparation
- ✓ Trace Metal Analysis: Sample and Standard Preparation

## TECHNICAL SPECIFICATIONS

Number of HEPA H-14 filtration columns	1	
Number of IP44 fans	1	
Average face velocity	0,30 m/s	
Average volume of treated air	208 m <sup>3</sup> /h	
Total electrical power consumption	45 W	
Voltage-Frequency	110-220 V / 50-60 Hz	
LED light intensity	900 Lux	
Noise level	54 dB	
<b>Packaging:</b> 100% recycled wooden box International phytosanitary certificate	Volume	1,50 m <sup>3</sup>
	Gross weight	193 Kg / Net 153 Kg

## SIZES (mm)

External			Internal		
Width	Depth	Hight	Width	Depth	Hight
1200	651	1664	1184	486	595

It is not a typographical error,  
**7 year warranty**

Because we are convinced of the quality of our products.



\*More information  
[www.cruma.es](http://www.cruma.es)

Well done, well shipped.  
**Our responsible packaging**

Wood box 100% recyclable with international phytosanitary certificate.



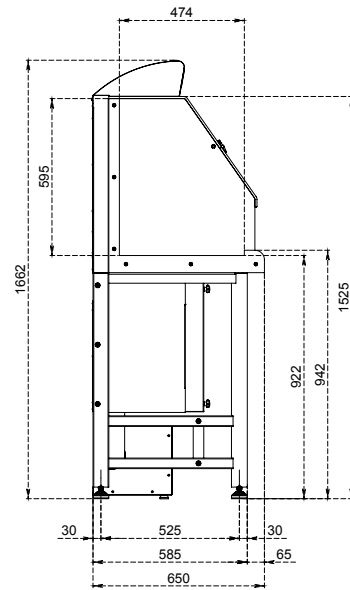
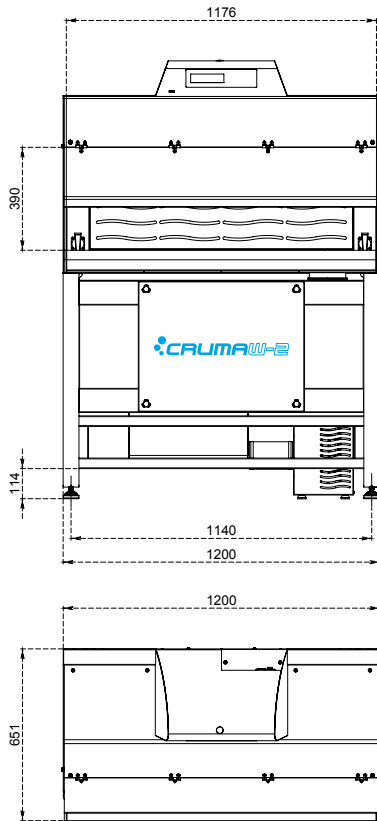
Do you need help or  
**technical assistance?**

Contact your distributor or call us if you have any questions or need technical support, spare parts, maintenance service...

**+34 93 370 61 62**

# CRUMA W-2

## SIZES (mm)



### STANDARD EQUIPMENT

Electronic circuit with Large format LCD screen	2 levels of safety : level 1 user and level 2 advanced
Electronic system for control and filter replacement	The filters have a microchip with mini USB connection which identifies the type of filter installed, the expiry date and the serial number
LED lighting	2 96-LED plates with high light intensity and low electrical consumption - 15 Watts / 1200 Lm
Digital timer with sound warning	Chronometer Stopwatch for control and notification of the work done in the cabinet
Clock and calendar	Date and time display
Granite working surface	30 mm thick granite working surface positioned on 6 silent blocks that isolate the balance from any vibration
HEPA filter	High Efficiency Particulate Air H-14
Electrical socket	2 internal sockets for connecting measuring equipment/balance
Warranty	7 years

### Filter provided with microchip and USB, connection smart filtering

Information storage and interaction with the alarm system



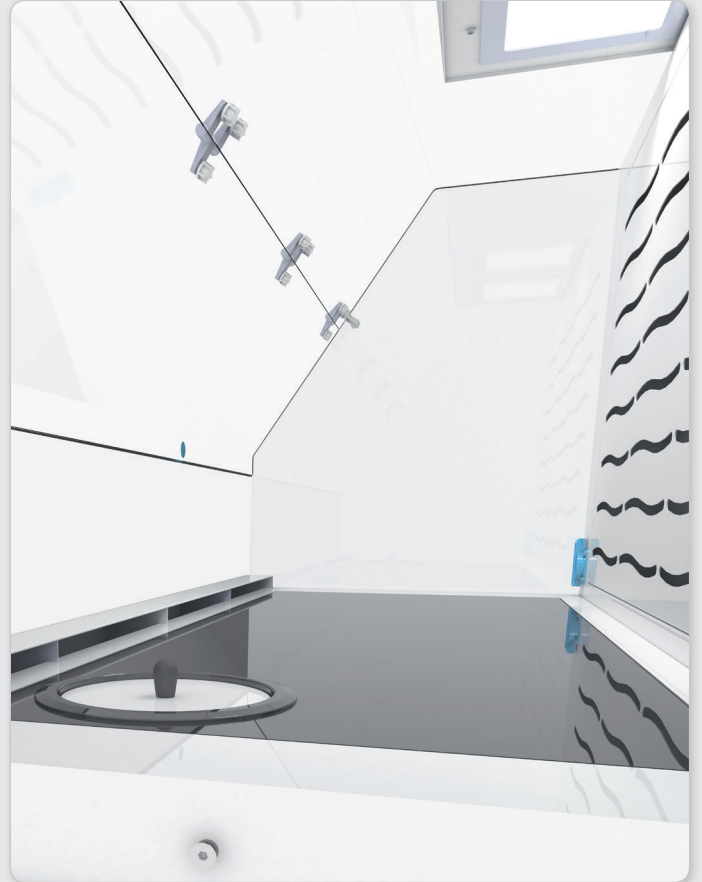
### STRUCTURE

Metallic part	1.2mm galvanized steel, coated with antiacid polymer powder resin thermo-hardened at 200 °C
Transparent panels	Transparent polymethylmethacrylate 8mm thick - PPMA- (light transmission of 93%)

### IN CONFORMITY WITH

Cabinets	UNE-EN 14175
Filters	EN-779: 1996 (HEPA & ULPA Filters) EN-1822:1998 (HEPA & ULPA Filters)
Quality	UNE EN ISO 9001:2015

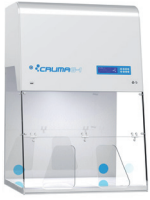
# CRUMA W-2



We recognise our responsibility and dependence towards a healthy environment and, therefore, we destinate more than 7% of our annual budget in innovating and developing new products for the lab operator

our **7%** engagement

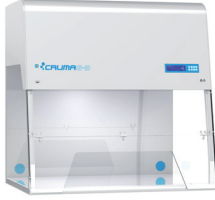
**CRUMA**  
PLUG&PLAY RANGE



G-1



G-2



G-3



G-4



G-5

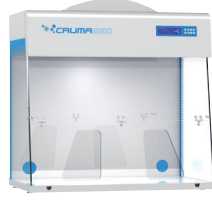
**CRUMA**  
CLASSIC RANGE



670



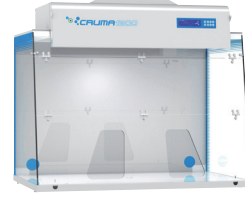
870



990



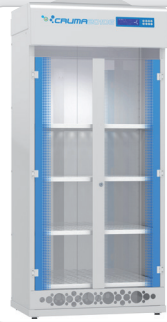
1010



1200



ECO



**CRUMA**  
VENTED STORAGE  
CUPBOARDS

2010

**CRUMA**  
POWDER CABINETS



P-1



P-2

**CRUMA**  
PRECISION WEIGHING  
CABINET



W-2

**CRUMA**  
PCR CABINET



PCR

**CRUMA**  
LAMINAR FLOW CABINETS



670FL



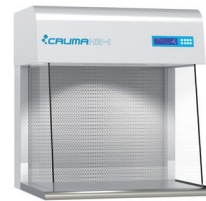
870FL



FL-1



FL-2



HZ-1



HZ-2

**CRUMA**  
BIOSAFETY CABINETS



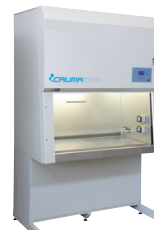
BIO-1



BIO-2



VIRUSFREE



CYTO-2&3

**CRUMA**  
CO<sub>2</sub> INCUBATOR



INCUBATOR

DISTRIBUTED BY: